



MX

MEXICO

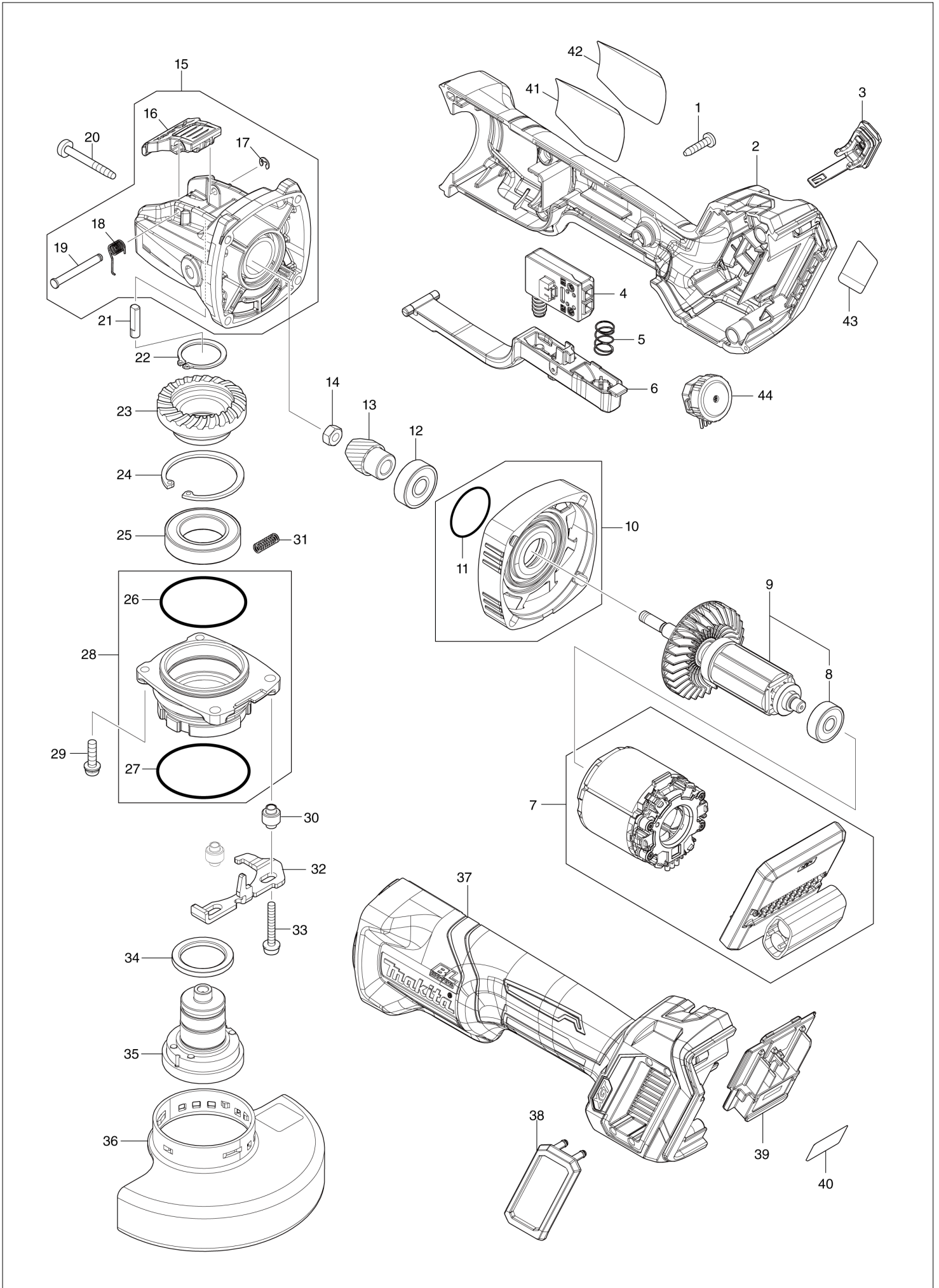
# Diagram / Parts List

**GA043G**

**115MM CORDLESS ANGLE GRINDER**



# (MX) GA043G / 115MM CORDLESS ANGLE GRINDER



<b>MX</b>	<b>MEXICO</b>
-----------	---------------

### GA043G / 115MM CORDLESS ANGLE GRINDER

Item	Sub	Parts No.	Parts Description	Qty	I/C	E/C No.	Close No.	Remark
001		266326-2	TAPPING SCREW 4X18	5				
002		183W45-2	MOTOR HOUSING SET	1				
	C10	263005-3	RUBBER PIN 6	2				
	C20	8005T5-8	XGT LOGO LABEL	1				
	D10		INC. 37					
003		140G30-2	CAP COMPLETE	1				
	C10	213A05-9	O-RING16	1				
	C20	818H48-4	CAP LABEL	1				
004		651083-9	SWITCH C3XA-1PSPM	1				
005		233263-5	COMPRESSION SPRING 9	1				
006		140T33-4	SWITCH LEVER COMPLETE	1				
007		629A00-3	STATOR COMPLETE	1				
008		210023-2	BALL BEARING 627DDW	1				
009		519762-4	ROTOR ASS'Y	1				
	D10		INC. 8					
010		136190-4	GEAR HOUSING COVER ASS'Y	1				
	D10		INC. 11					
011		213445-5	O-RING 26	1				
012		210042-8	BALL BEARING 629LLB	1				
013		226950-3	SPIRAL BEVEL GEAR 10	1				
014		252186-8	HEX. NUT M6	1				
015		136715-4	GEAR HOUSING ASS'Y	1				
	D10		INC. 16-19					
016		459967-3	LEVER	1				
017		961017-7	STOP RING E-3	1				
018		232576-1	TORSION SPRING 5	1				
019		256935-5	HEADED PIN 4	1				
020		266048-4	TAPPING SCREW 4X40	4				
021		327460-4	SHAFT	1				
022		961104-2	RETAINING RING S-24	1				
023		226951-1	SPIRAL BEVEL GEAR 37	1				
024		962201-7	RETAINING RING (INT) R-42	1				
025		210208-0	BALL BEARING 6905DDW	1				
026		213622-9	O RING 45	1				
027		213783-5	O-RING 48	1				
028		136716-2	BEARING BOX ASS'Y	1				
	D10		INC. 26,27					
029		911138-5	P.H.SCREW M4X20 WITH WR	2				
030		327322-6	SLEEVE 4	2				
031		232490-1	COMPRESSION SPRING 4	1				
032		347A22-8	LEVER	1				
033		911159-7	PAN HEAD SCREW M4X30	2				
034		327459-9	RING 25	1				
035		127428-8	SPINDLE ASSEMBLY	1				
036		141L30-5	WHEEL COVER 115 COMPLETE	1				
	C10	8053W1-0	CAUTION LABEL	1				
037		183W45-2	MOTOR HOUSING SET	1				
	C10	263005-3	RUBBER PIN 6	2				
	C20	8005T5-8	XGT LOGO LABEL	1				
	D10		INC. 2					
038		422610-7	DUST COVER	1				
039		632P65-6	TERMINAL UNIT	1				
040		858G36-3	GA043G SERIAL NO. LABEL	1				
041		858G34-7	GA043G NAME PLATE	1				
042		8008U5-3	CLEAR LABEL	1				
043		8015J1-9	INDICATION LABEL	1				
044		620D30-5	DIAL CIRCUIT	1				
A01A		199709-0	CUTTING W.C.A. 115 SET	1				
A01B		199709-0	CUTTING W.C.A. 115 SET	1				
A02		158237-4	GRIP 36 COMPLETE	1				
A03		E-00371	GRINDING WHEEL INOX 115 X-LOCK	1				
A04B		8054S4-2	GA043GM201 INDICATION LABEL	1				
A04D		8063C0-5	GA043GM202 INDICATION LABEL	1				
A05B		8054V6-9	GA043GM201 PLASTIC CASE LABEL	2				
A05D		8063C1-3	GA043GM202 PLASTIC CASE LABEL	2				

A:GA043GZ(N)  
 B:GA043GM201(L)  
 D:GA043GM202(L)

Interchange  
 O : Yes  
 X : No  
 < : the new part can be substituted for the current.  
 > : the current part can be substituted for the new.  
 S : Interchangeable as a set.

